

TIPS FOR TOY MAKERS and SAFETY GUIDELINES

Charity Agencies receiving toys take full responsibility for controlling what is given to their participating kids.

Agencies are asked to provide feedback on what kids like.

Toys are supplied unpainted so recipients can participate by painting the toys.

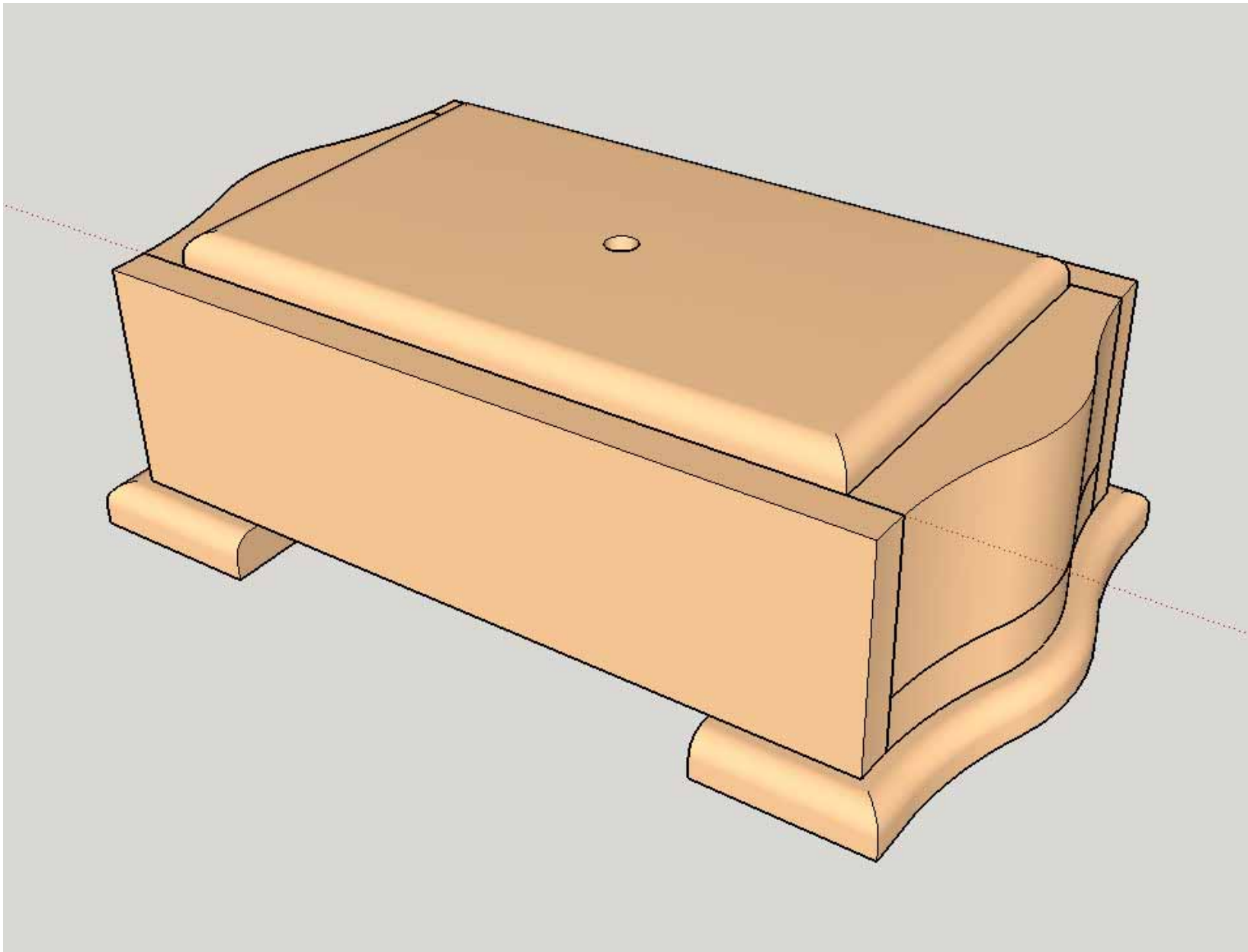
Things we should do to make toys safe and fun for the kids:

- Make sure that wheels on the cars will tum. Note: A 5/16-dia drill is best for the axle holes unless the hole is very rough. Humidity sometimes causes wood fibers to bind up after a while and wheels don't tum freely. Please check. Soft wood is most problematic.
- Check all edges to be sure there are no places that could cut the kids.
- Fill any chips, knot holes or rough spots.
- Remove any loose knots and, if necessary, recut the toy.
- Glue any visible splits.
- All surfaces and edges should be sanded smooth.
- Splinters are not acceptable - Glue or sand flush.
- Round and sand appropriate parts for safe handling.
- Use white or yellow glues for assembly.

Things we should not do!"

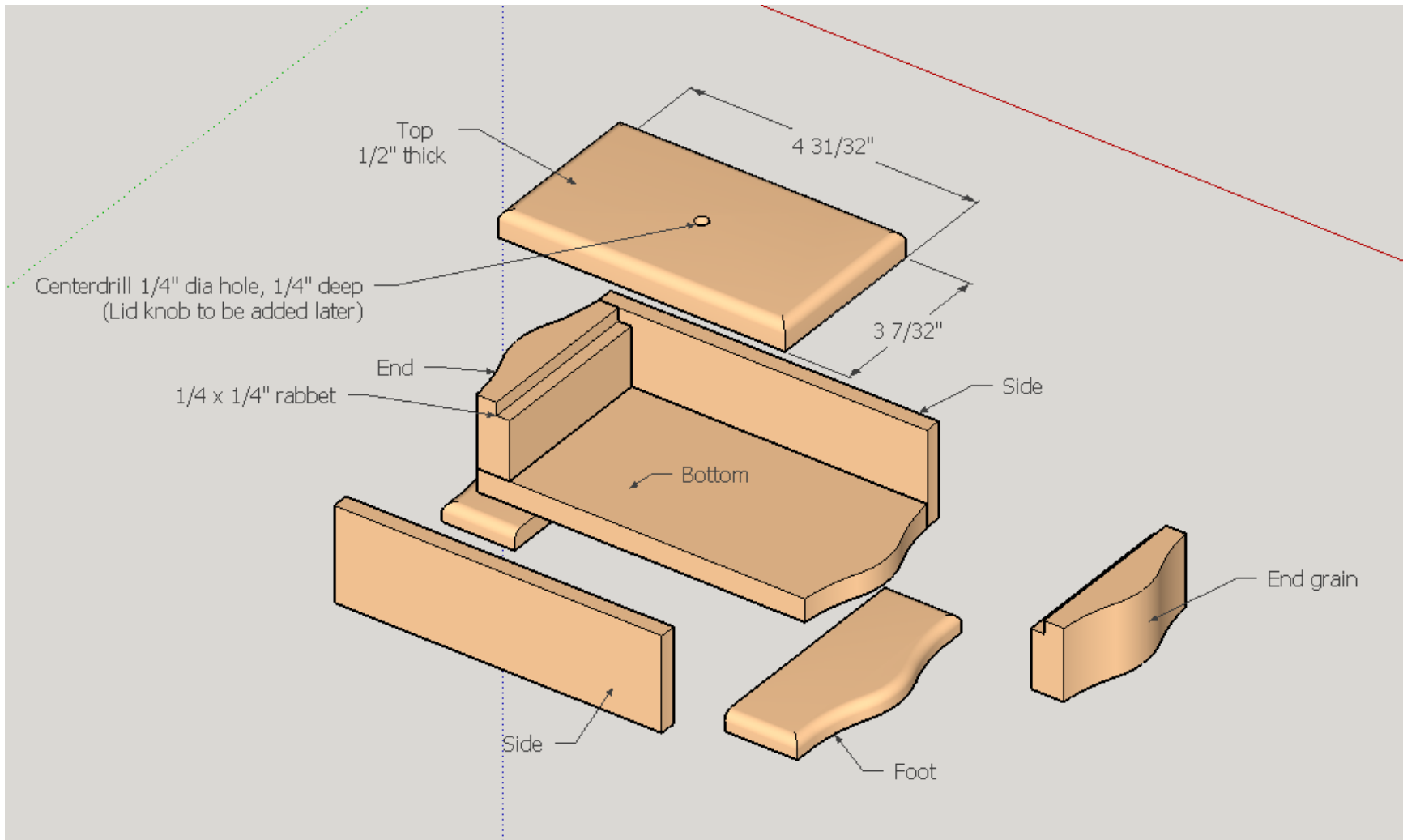
Hot melt adhesives are not strong enough - do not use.

Finished box –(knob to be added later)

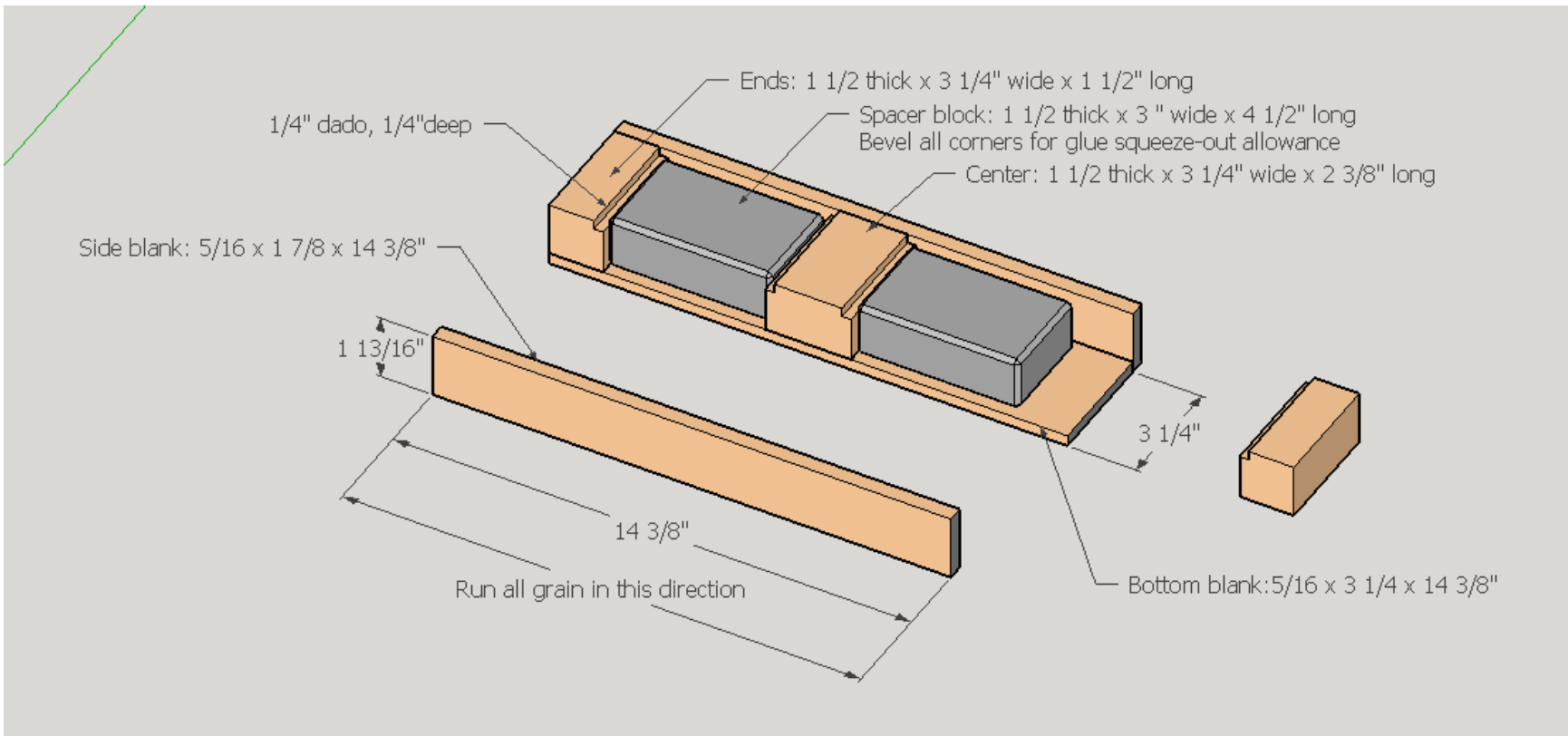


y

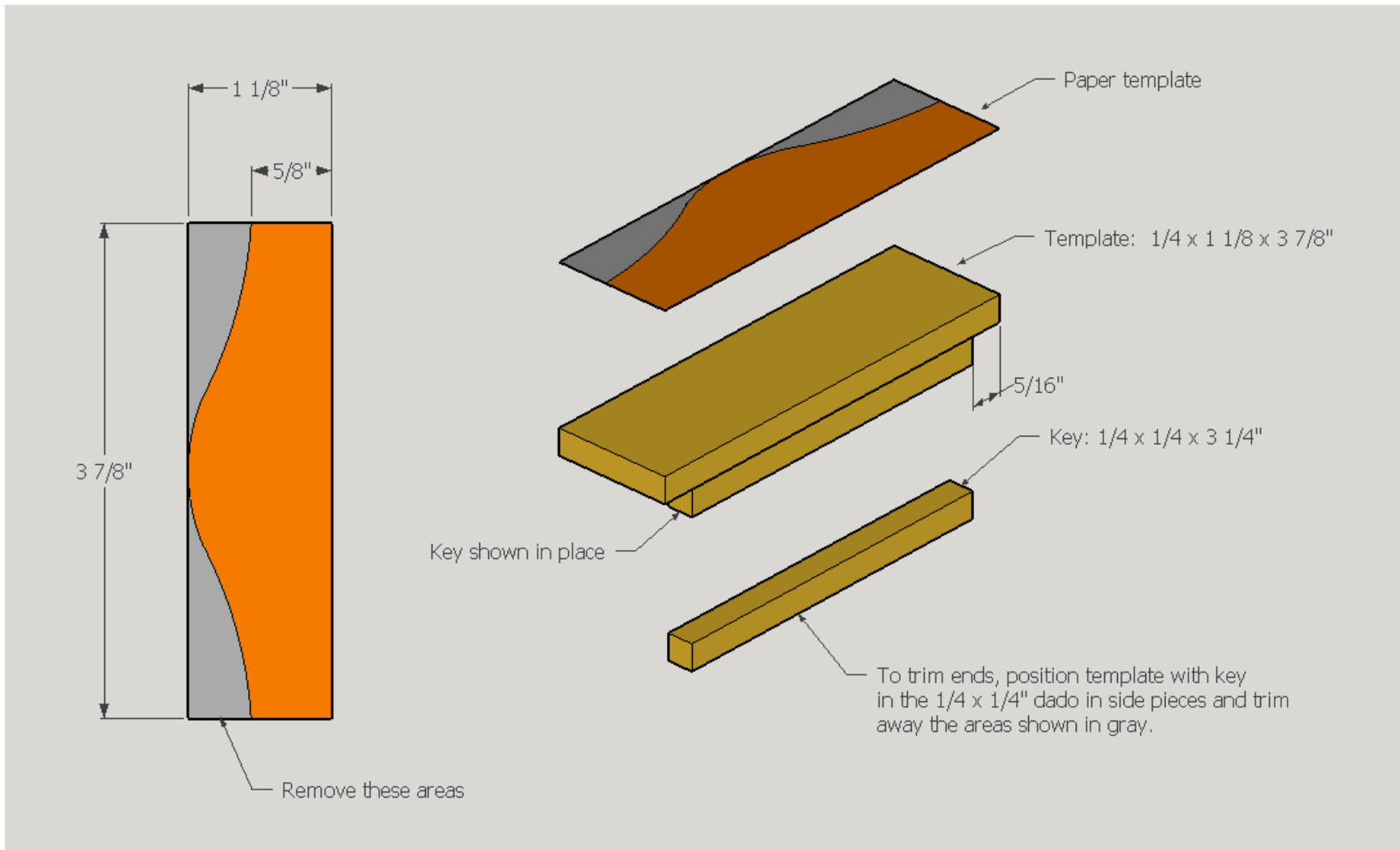
Exploded view



Initial glue-up



Side cutting template



Cutting the ends and feet

